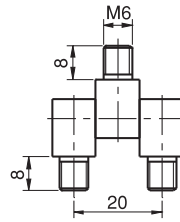


SIDE HINGE (10 mm)

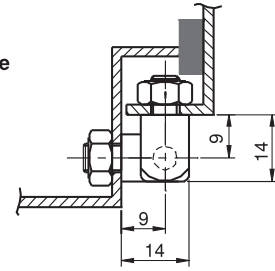
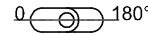
090



LH/RH



Hinge Rotation Angle



MATERIAL	M	FINISH	F
Brass	3	No Finish	0
		Nickel	4

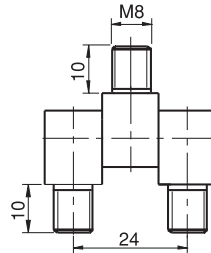
- Side mounted hinge
- Three 10mm brass parts supplied separately. For different dims contact Mesan

SIDE HINGE (10 mm)

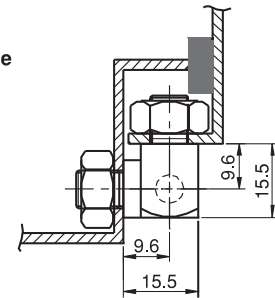
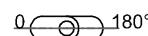
091



LH/RH



Hinge Rotation Angle



MATERIAL	M	FINISH	F
Brass	3	No Finish	0
		Nickel	4

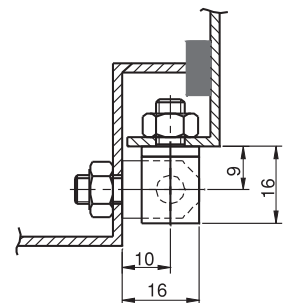
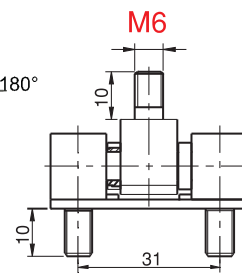
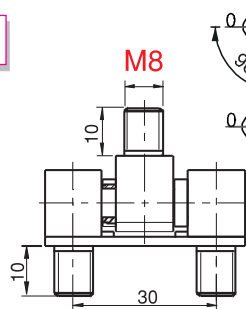
- Side mounted hinge
- Three 12mm brass parts supplied separately. For different dims contact Mesan

SIDE HINGE (12 mm)

092



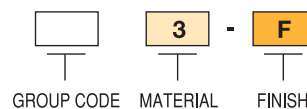
LH/RH



M8 → 092 M-F-8-90°
092 M-F-8-180°

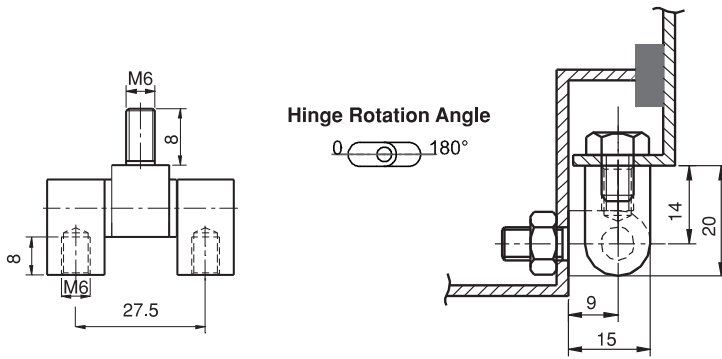
M6 → 092 M-F-6-90°
092 M-F-6-180°

PRODUCT CODE



MATERIAL	M	FINISH	F
Brass	3	No Finish	0
		Chrome	1

- Side mounted hinge
- 12 mm parts and bearings are brass .Parts are assembled by fixing plate.For different dimensions, please contact Mesan.
- 90' and 180' angle versions are available



MATERIAL	M	FINISH	F
Brass	3	Chrome	1

192

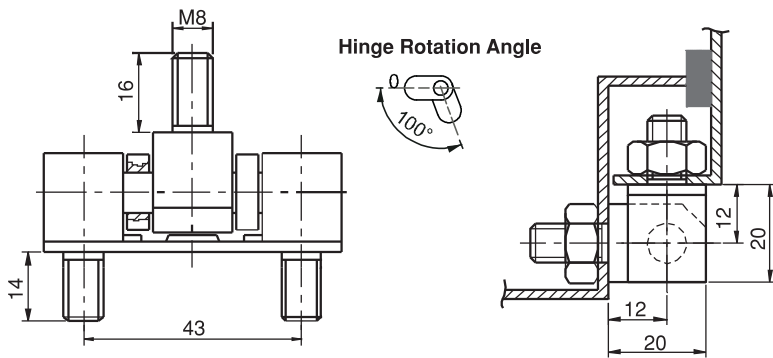
SIDE HINGE (12 mm)



LH/RH



- Side mounted hinge
- 12 mm parts and bearings are brass .Parts are tightly fitted.



MATERIAL	M	FINISH	F
Brass	3	No Finish	0
		Chrome	1

093

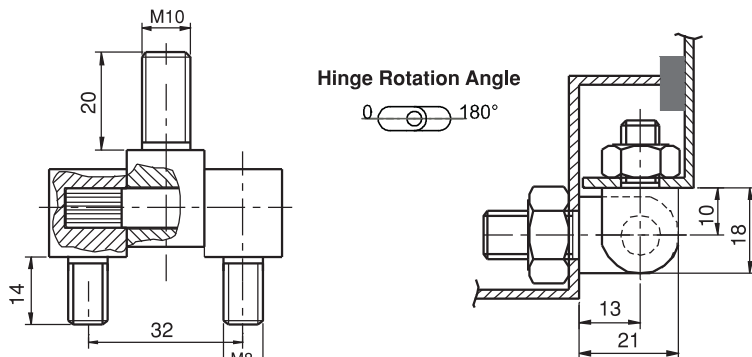
SIDE HINGE (16 mm)



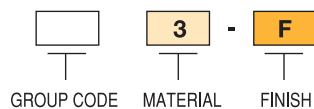
LH/RH



- Side mounted hinge
- 16 mm parts and bearings are brass .Parts are assembled by fixing plate.



PRODUCT CODE



MATERIAL	M	FINISH	F
Brass	3	Chrome	1

193

SIDE HINGE (16 mm)



LH/RH



- Side mounted hinge
- 16 mm parts are brass .Parts are tightly fitted.