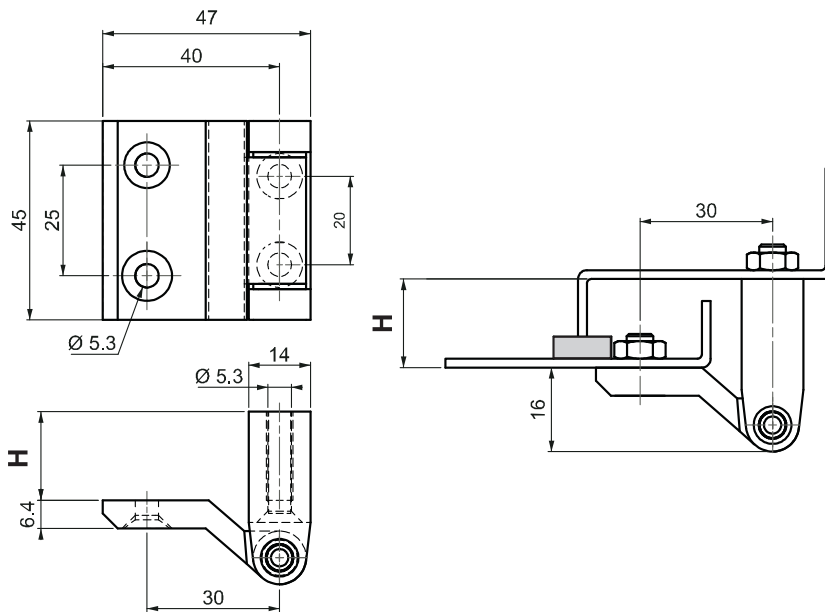


CORNER HINGE

100



LH/RH



- Designed for plain / flush mounted doors and side mounted doors.
- For side mounted doors with a bend of between 2 mm and 30 mm.
- Hardened steel hinge pin.

APPLICATIONS

Electric panels, machinery covers

MATERIAL

BODY : Zamak DIN-EN 1774-ZnAl4Cu1

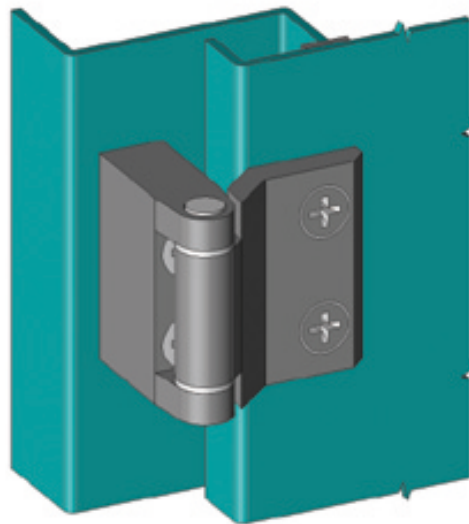
PIN : Steel

BEARING: Delrin

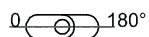
FINISH

Black coated

H
2
3
5
7
10
15
17
20
25
27
30



Hinge Rotation Angle



PRODUCT CODE

100 - 1 - 2 - H

GROUP CODE MATERIAL FINISH HEIGHT

MATERIAL	M	FINISH	F
Zamak	1	Black coated	2