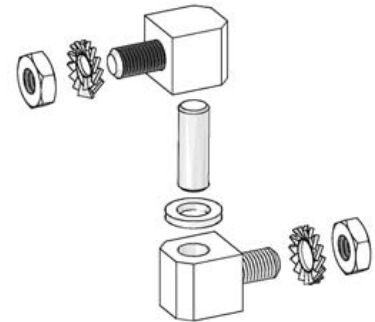
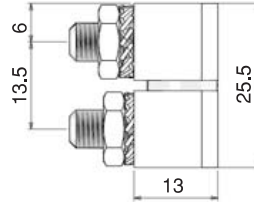


SIDE HINGE (10 mm)

191



LH/RH



- Side mounted hinge
- 12 mm parts are steel.

APPLICATIONS

Electric panels, machinery covers.

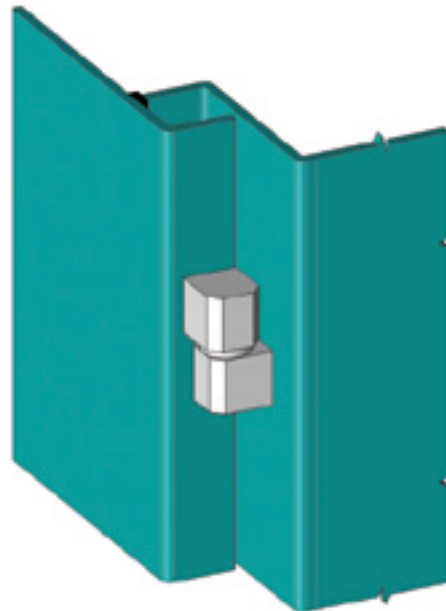
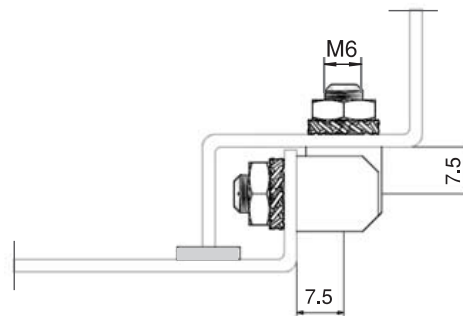
MATERIAL

Steel

FINISH

Zinc plated

Note: Nuts and washers are given



Hinge Rotation Angle



PRODUCT CODE

191 - 6 - 3

GROUP CODE MATERIAL FINISH