

MATERIAL	M	FINISH	F
Brass	3	Chrome	1

192

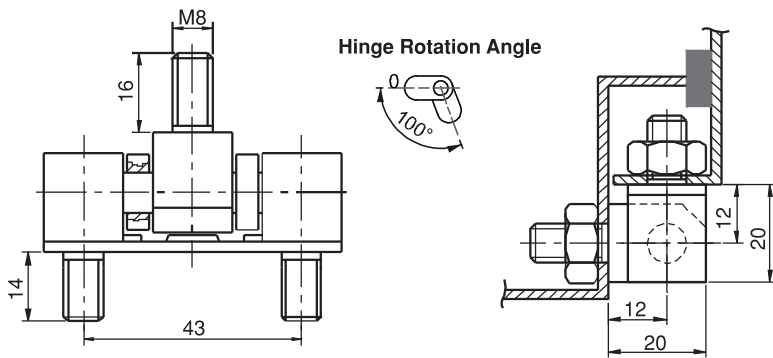
SIDE HINGE (12 mm)



LH/RH



- Side mounted hinge
- 12 mm parts and bearings are brass .Parts are tightly fitted.



MATERIAL	M	FINISH	F
Brass	3	No Finish	0
		Chrome	1

093

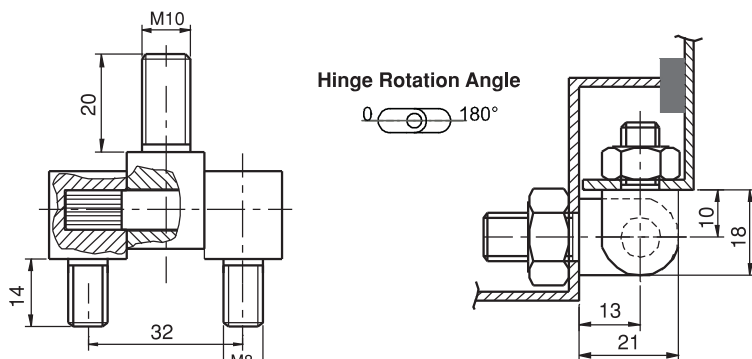
SIDE HINGE (16 mm)



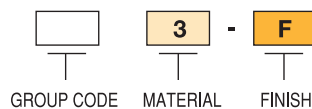
LH/RH



- Side mounted hinge
- 16 mm parts and bearings are brass .Parts are assembled by fixing plate.



PRODUCT CODE



MATERIAL	M	FINISH	F
Brass	3	Chrome	1

193

SIDE HINGE (16 mm)



LH/RH



- Side mounted hinge
- 16 mm parts are brass .Parts are tightly fitted.