

599

LEAF HINGE

New



LH/RH



- Generally, used for plain / flush mounted, isolated, heavy doors.
- Both frame part and door part are screwed -on.
- Hinge Rotation angle is 180°

APPLICATIONS

Electric panels, build-in covers.

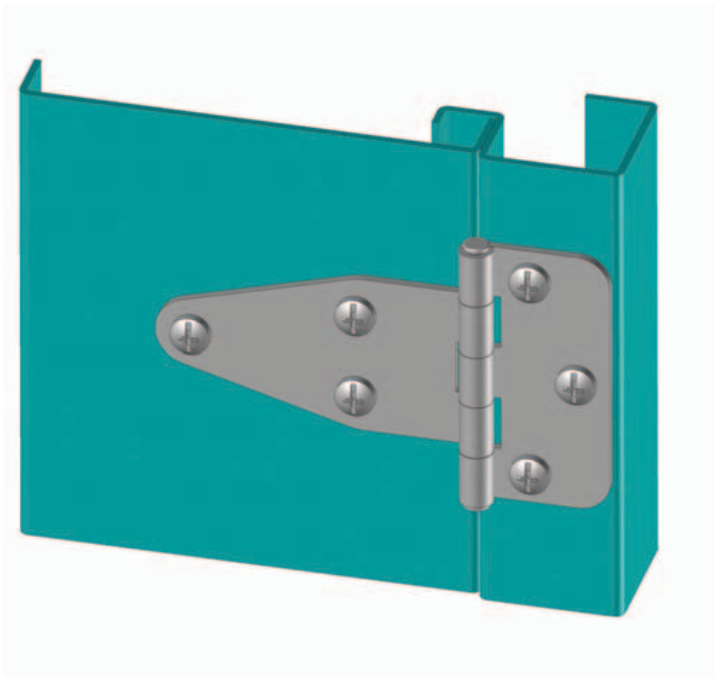
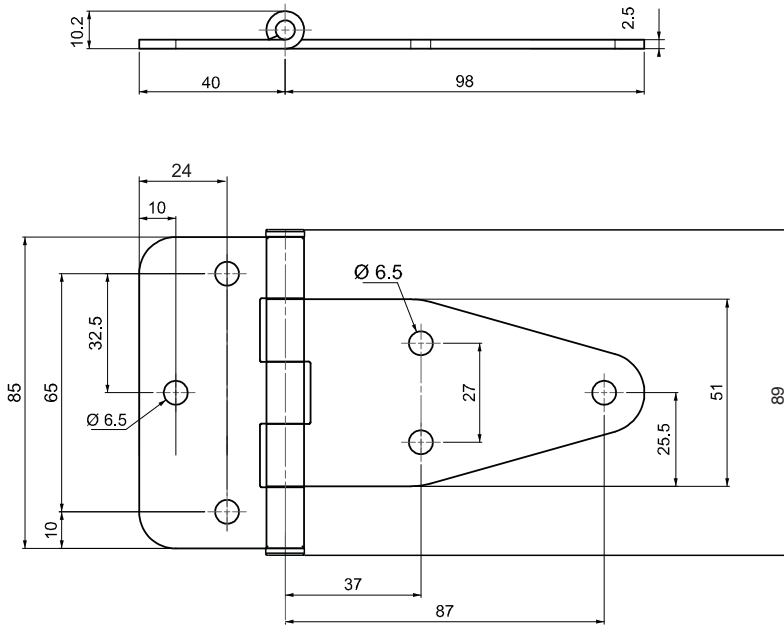
MATERIAL

BODY: Steel
PIN : Steel

FINISH

Zinc plated or black coated

Hinge Rotation Angle



PRODUCT CODE

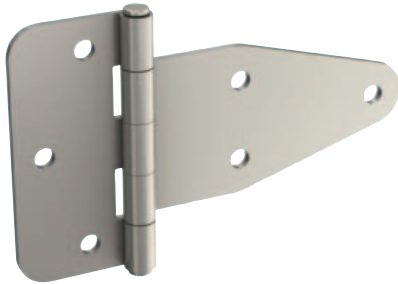
599 - 6 - F

GROUP CODE MATERIAL FINISH

MATERIAL	M	FINISH	F
Steel	6	Zinc plated	3
		Black coated	2

LEAF HINGE

599

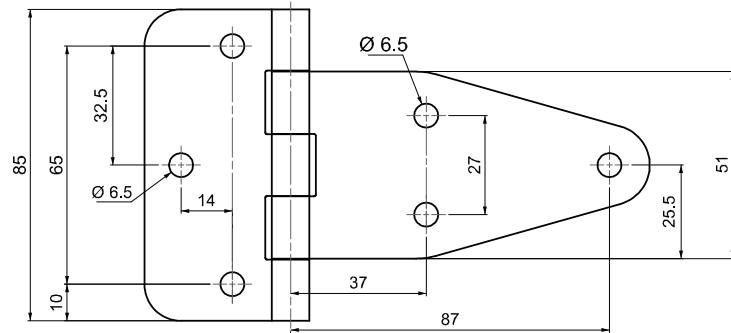
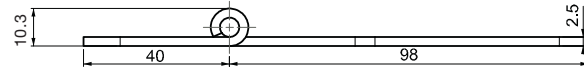


New

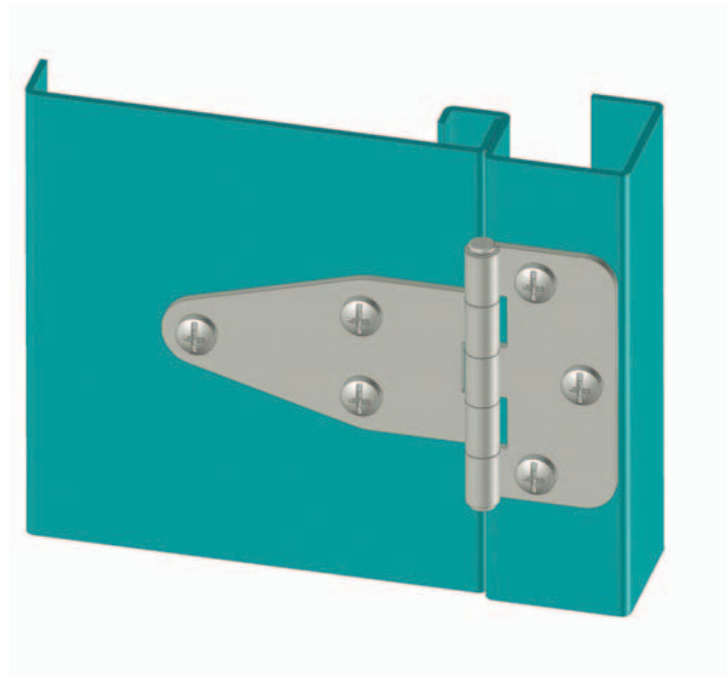
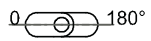


LH/RH

- Generally, used for plain / flush mounted, isolated, heavy doors.
- Both frame part and door part are screwed -on.
- Hinge Rotation angle is 180°



Hinge Rotation Angle



PRODUCT CODE

599 - 4 - 0

GROUP CODE MATERIAL FINISH