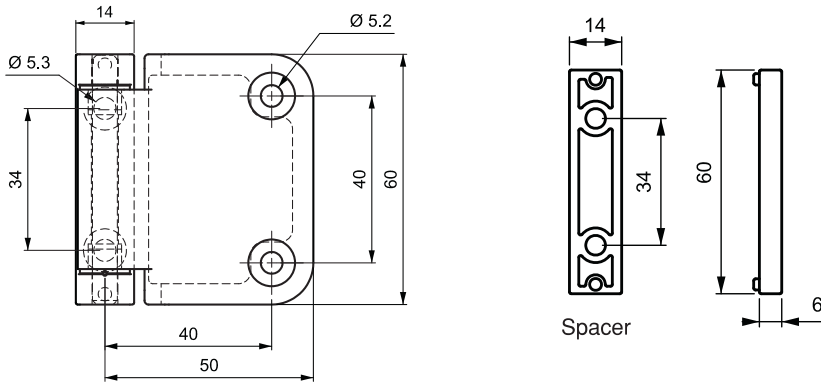
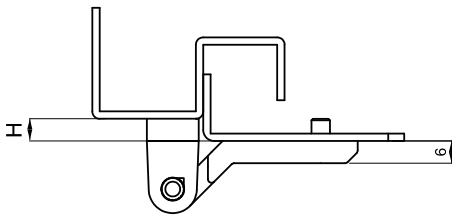


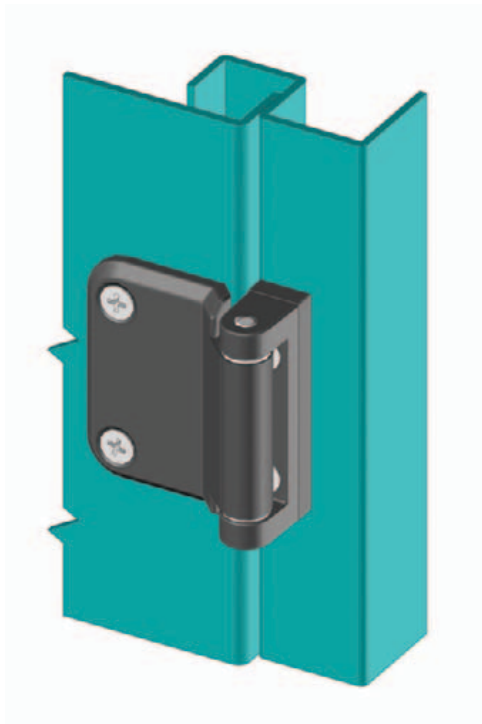
V : 3



Spacer version  
600 1-2-H-3



H
06
12
15



600

CORNER HINGE

New



LH/RH



- Design for plain side mounted doors
- For side mounted doors with a bend of 0-15 mm.
- Pin and plastic guides will be supplied separately.

**APPLICATIONS**

Electric panels, machinery covers

**MATERIAL**

BODY : Zamak DIN-EN 1774-ZnAl4Cu1

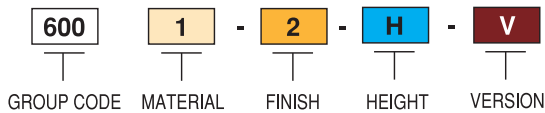
PIN : Steel

BEARING: Delrin

**FINISH**

Black coated

**PRODUCT CODE**



<b>MATERIAL</b>	<b>M</b>	<b>FINISH</b>	<b>F</b>
Zamak	1	Black coated	2