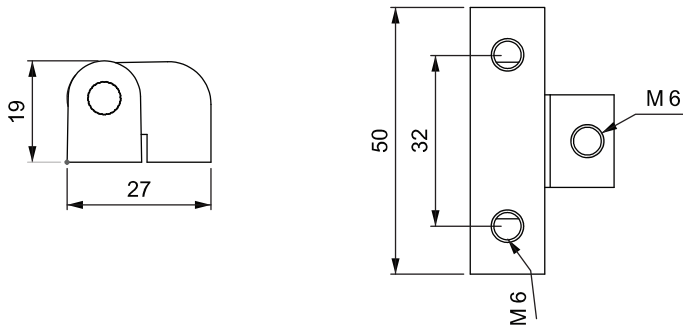
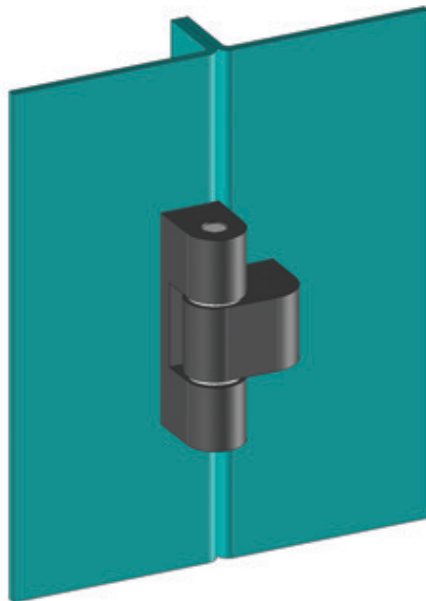


693

HINGE WITH BEARING



LH/RH



APPLICATIONS

Electric panels, machinery covers

MATERIAL

BODY : Zamak DIN-EN 1774-ZnAl4Cu1

PIN : Stainless steel

BEARING : Delrin

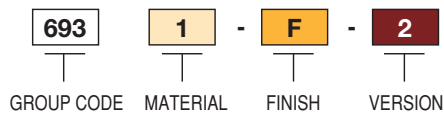
FINISH

Chrome plated or black coated

Hinge Rotation Angle



PRODUCT CODE



MATERIAL	M	FINISH	F
Zamak	1	Chrome	1
		Black Coated	2