

LIFT - OFF HINGE

699

V : 1



New



LH

RH



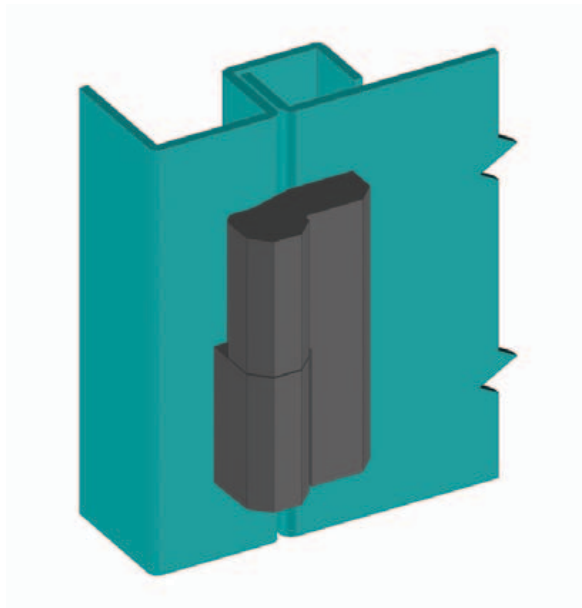
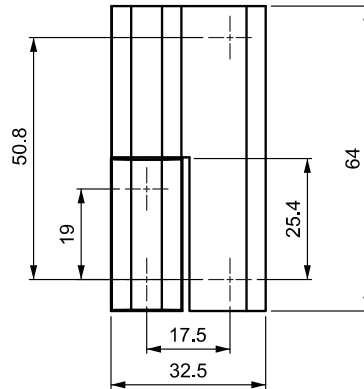
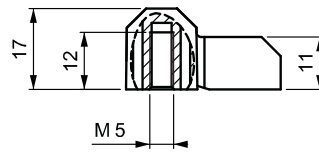
- Concealed mounting screws prevent external access to the hinge.
- Design for plain/flush mounted doors.
- Lift off hinge.
- Left and right hand opening doors.

APPLICATIONS

Electric panels, build-in covers.

MATERIAL

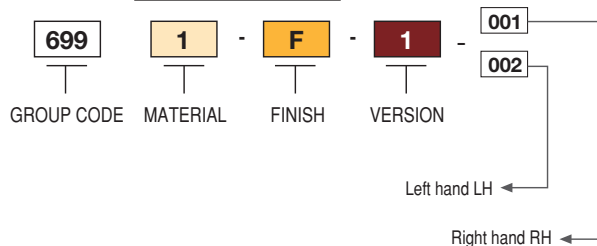
BODY : Zamak DIN-EN 1774-ZnAl4Cu1
PIN : Stainless Steel



Hinge Rotation Angle



PRODUCT CODE

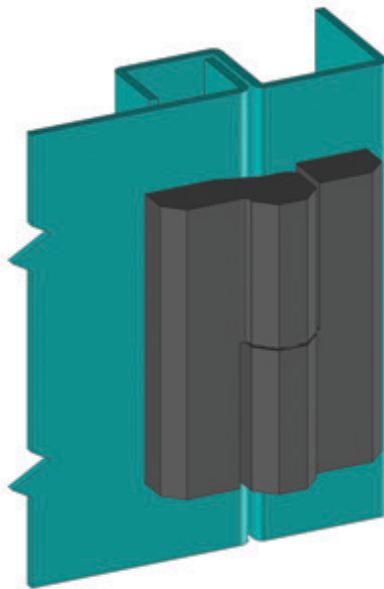
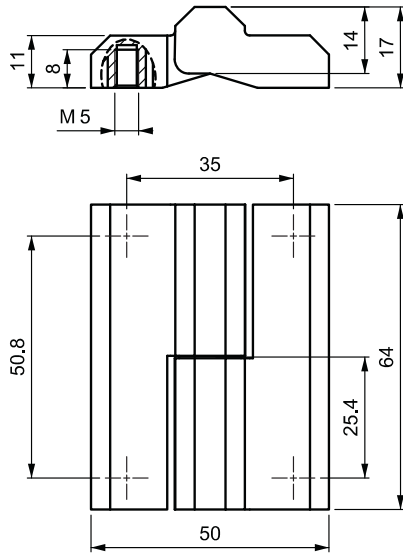


MATERIAL	M	FINISH	F
Zamak	1	Chrome	1
		Black Coated	2

Flat hinges

2-4

V : 2



699

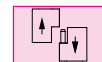
LIFT - OFF HINGE

New



LH

RH



- Concealed mounting screws prevent external access to the hinge.
- Design for plain/flush mounted doors.
- Lift off hinge.
- Left and right hand opening doors.

APPLICATIONS

Electric panels, build-in covers.

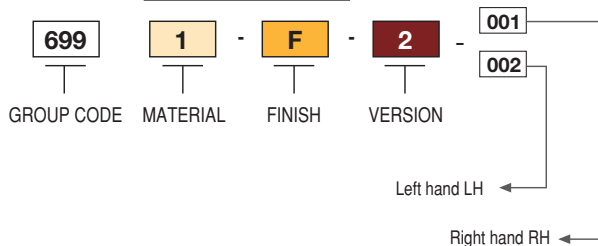
MATERIAL

BODY: Zamak DIN-EN 1774-ZnAl4Cu1
PIN : Stainless Steel

Hinge Rotation Angle



PRODUCT CODE



MATERIAL	M	FINISH	F
Zamak	1	Chrome	1
		Black Coated	2