

HVAC HINGE - ADJUSTABLE (2D)

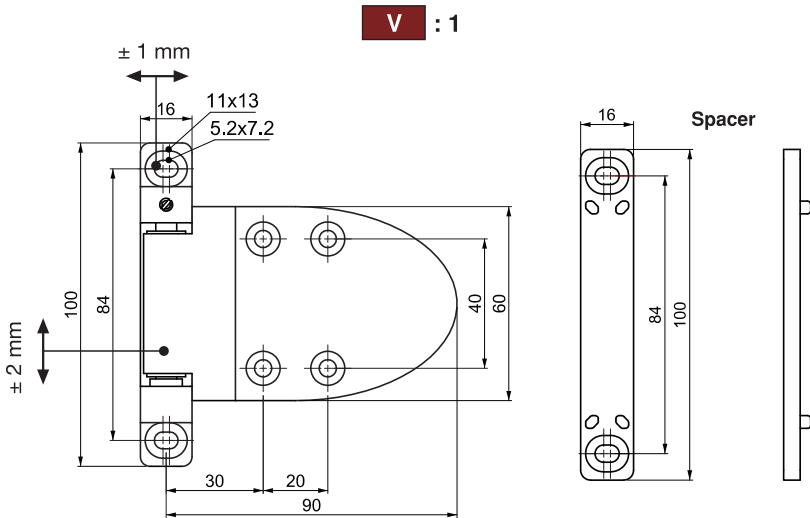
700

New



LH/RH

2 D



- Design for plain side mounted doors
- For side mounted doors with a bend of 2-12 mm.
- Hinge is supplied totally assembled to decrease the customer labour costs.
- 2 dimensional door adjustments are possible.
- Axial adjustment is ± 2 mm .Radial adjustment is ± 1 mm.

APPLICATIONS

Air condition central units, electric panels, machinery covers

MATERIAL

BODY : Zamak DIN-EN 1774-ZnAl4Cu1

PIN : Steel

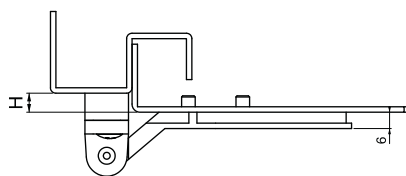
BEARING: Delrin

FINISH

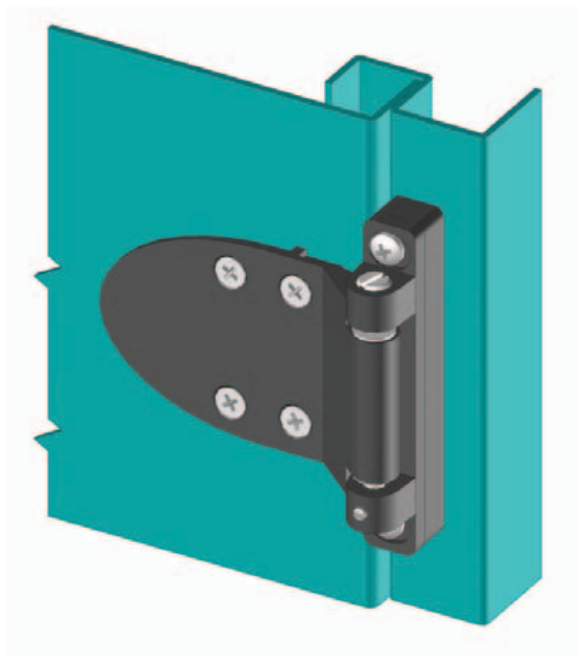
Black coated

Spacer application

700 1-2-H-1



| H |
|----|
| 2 |
| 7 |
| 12 |

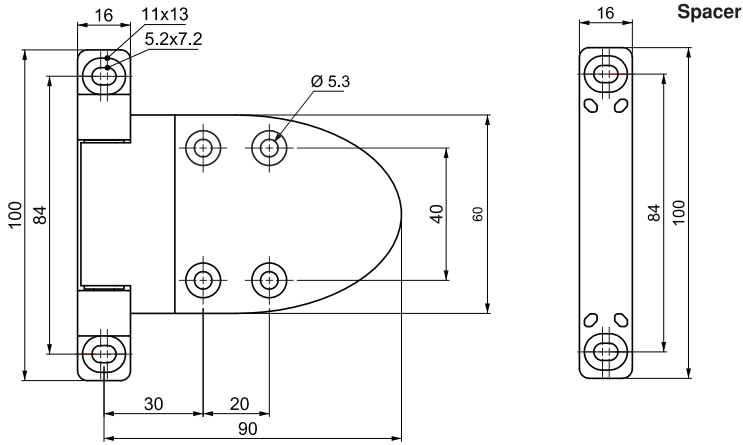


PRODUCT CODE

| | | | | | | | |
|------------|----------|---|--------|---|--------|---|---------|
| 700 | 1 | - | 2 | - | H | - | 1 |
| GROUP CODE | MATERIAL | | FINISH | | HEIGHT | | VERSION |

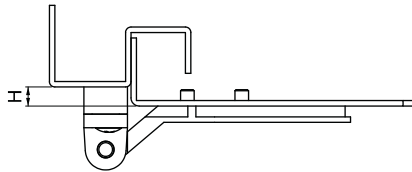
| | | | |
|-----------------|----------|---------------|----------|
| MATERIAL | M | FINISH | F |
| Zamak | 1 | Black coated | 2 |

V : 2

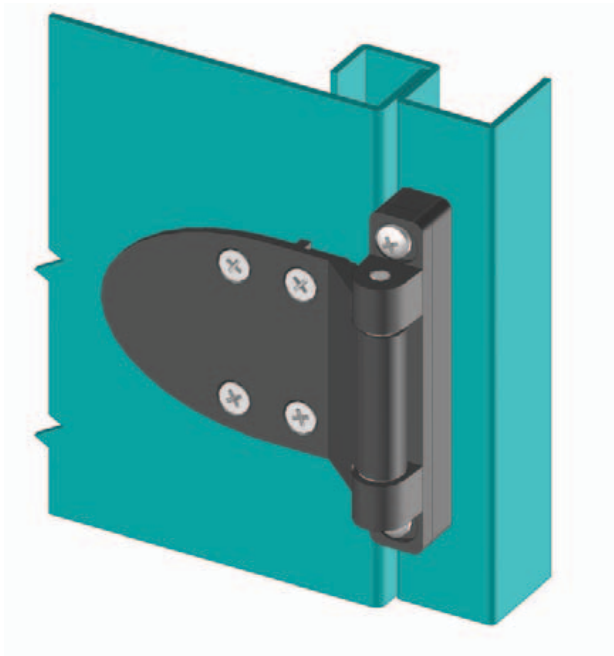


Spacer application

700 1-2-H-2



| |
|----|
| H |
| 2 |
| 7 |
| 12 |



700

HVAC HINGE

New



LH/RH



- Design for plain side mounted doors
- For side mounted doors with a bend of 2-12 mm.
- Hinge is supplied totally assembled to decrease the customer labour costs.

APPLICATIONS

Air condition central units, electric panels, machinery covers

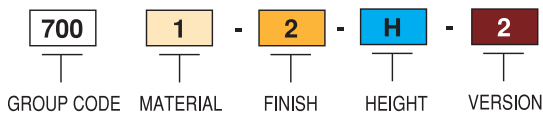
MATERIAL

BODY : Zamak DIN-EN 1774-ZnAl4Cu1
 PIN : Steel
 BEARING: Delrin

FINISH

Black coated

PRODUCT CODE



| | | | |
|-----------------|----------|---------------|----------|
| MATERIAL | M | FINISH | F |
| Zamak | 1 | Black coated | 2 |