

HVAC HINGE - ADJUSTABLE (2D)

700

New



LH/RH

2 D



- Design for plain side mounted doors.
- Hinge is supplied totally assembled to decrease the customer labour costs.
- 2 dimensional door adjustments are possible.
- Axial adjustment is +2 mm .Radial adjustment is +- 1 mm.
- Also can be used for offset doors.
Please look at corner hinges section.

APPLICATIONS

Air condition central units, electric panels, machinery covers

MATERIAL

BODY : Zamak DIN-EN 1774-ZnAl4Cu1

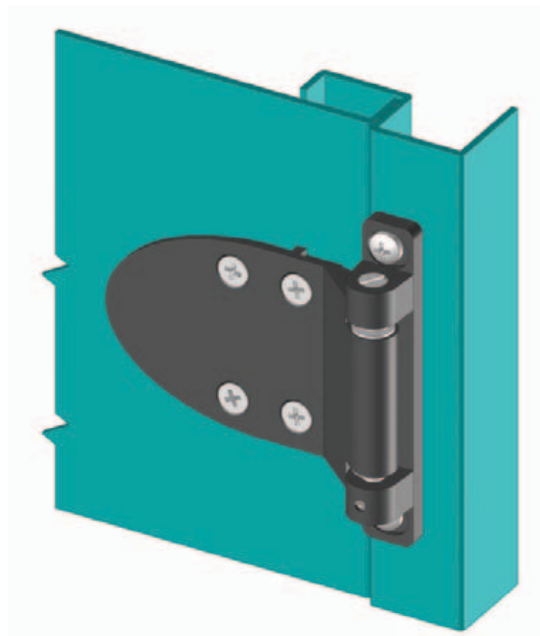
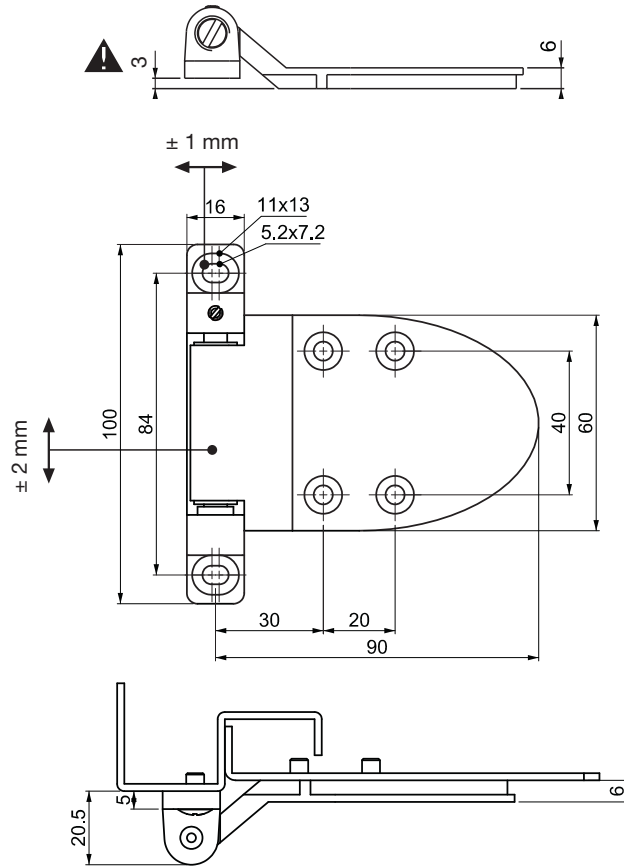
PIN : Steel

BEARING : Delrin

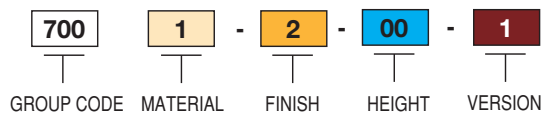
FINISH

Black coated

V : 1

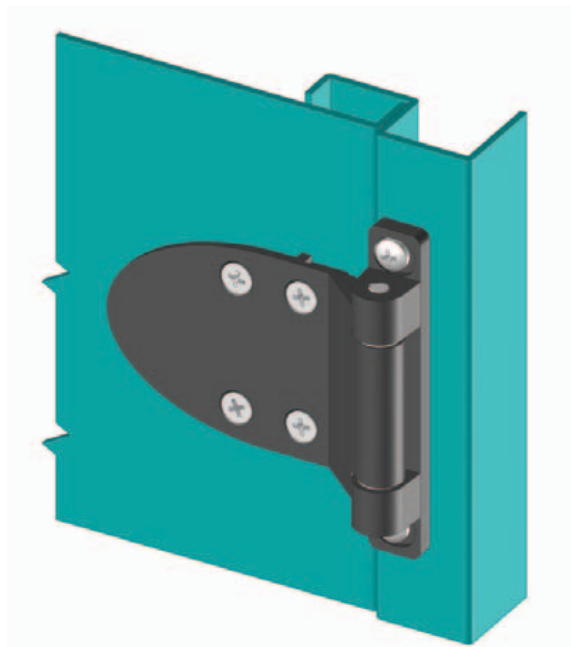
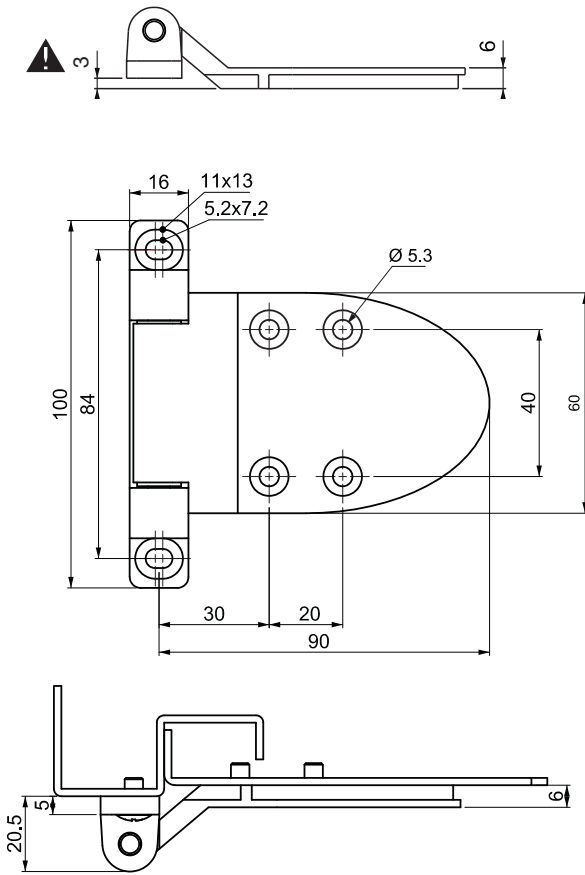


PRODUCT CODE



MATERIAL	M	FINISH	F
Zamak	1	Black coated	2

V : 2



700

HVAC HINGE

New



LH/RH



- Design for plain side mounted doors.
- For side mounted doors with a bend of 2-12 mm.
- Hinge is supplied totally assembled to decrease the customer labour costs.
- Also can be used for offset doors. Please look at corner hinges section.

APPLICATIONS

Air condition central units, electric panels, machinery covers

MATERIAL

BODY : Zamak DIN-EN 1774-ZnAl4Cu1
 PIN : Steel
 BEARING : Delrin

FINISH

Black coated

PRODUCT CODE

700	1	-	2	-	00	-	2
GROUP CODE	MATERIAL		FINISH		HEIGHT		VERSION

MATERIAL	M	FINISH	F
Zamak	1	Black coated	2