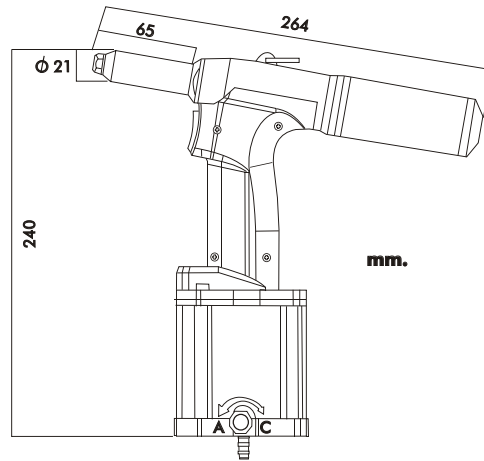


RIVETING TOOLS FOR BLIND RIVETS

BM-500

International diameter : 6 mm.



REFERENCE	CODE N°	WEIGHT
BM 500	02BM05000	1.400 gr.

BLIND RIVETS Ø m/m	MATERIALS			
	Aluminium	Steel	Inox	Copper
2,4	x	x	x	x
3,0 - 3,2	x	x	x	x
4,0	x	x	x	x
4,8 - 5,0	x			
5,2 S-Trebol	x			

