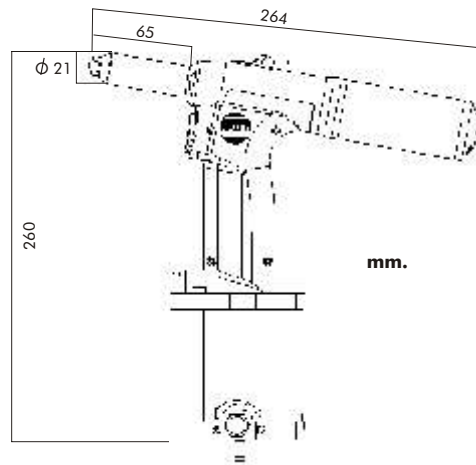


# RIVETING TOOLS FOR BLIND RIVETS

# BM-700

International diameter : 6 mm.



REFERENCE	CODE N°	WEIGHT
BM700	02BM07000	1.500 gr.

REMACHE Ø m/m	MATERIALS			
	Aluminium	Steel	Inox	Copper
3,0 - 3,2	X	X	X	X
4,0	X	X	X	X
4,8 - 5,0	X	X	X	X
4,8 Structural		X		
5,2 S-Trebol	X			

