



SB60

Codice Code	H H	I x G I x G	D D	E E	A A	C C	B B	F F	Carico max daN Maximum Load daN
103.SB60	80	106x68	51	60	12	2,5	16,5	11	200

GOMMA / RUBBER PART

Materiale / Material

Miscela gomma NR/SBR 60 sh A
NR/SBR compound 60 sh A

A richiesta / On request

Durezza 45 SH
45 sh A Hardness

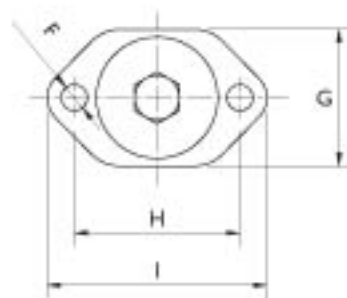
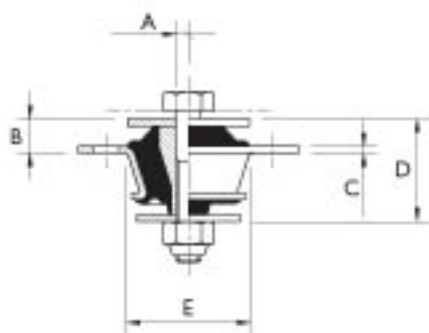
PARTE METALLICA / METAL PART

Materiale / Material

Zincata gialla
Zinc plated yellow

Tolleranza sulla durezza ±5 SH

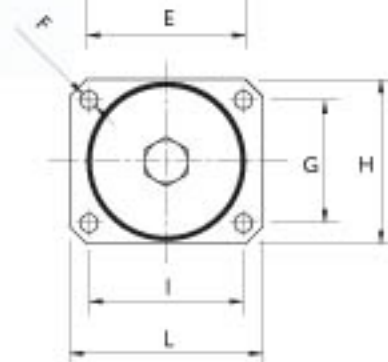
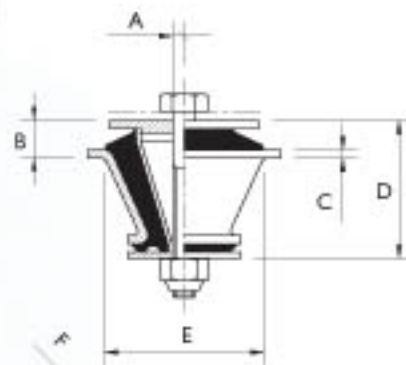
Hardness tolerance ±5 SHare A



SB78



SB93



SB109

Codice Code	I x G I x G	L x H L x H	D D	E E	A A	C C	B B	F F	Carico max daN Maximum Load daN
103.SB78	80x65	107x90	56	78	16	3,5	19,5	11	400
103.SB93	90x74	120x100	81	93	16	4,3	20	11	900
103.SB109	112x92	140x120	95	109	20	4,5	23	11	1600