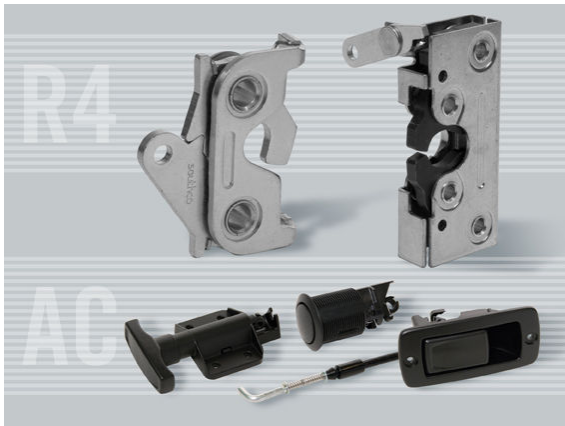


R4 Rotary Latches

<http://www.southco.com/class/r4-rotary-latches-7402.html>

The new *SOUTHCO*® R4-20 and R4-50 Rotary Latches provide rugged performance suitable for door and access panel applications in industrial, off-highway, construction and transportation industries. Coupled with Southco's new AC Actuators and corresponding custom-length cables, the rotary latches complete a remote access system that provides the convenience of remote actuation and the confidence of positive latch engagement. Thermoplastic for corrosion resistance, the actuators—push-button, paddle handle and T-handle—are compatible with a broad range of Southco rotary latches. This system is ideal for engine covers, tool boxes, baggage doors and other access doors. Customers have an efficient way to specify and design their optimum solution from a single source.



The medium-duty R4-20 provides a compact design with the choice of single-stage engagement or two-stage engagement, and its corrosion-resistant finish makes it a desirable choice for access points in outdoor environments. The heavy-duty R4-50 features a two-stage, double-rotor design that ensures secure closure even if a minimal closing effort leaves the door in the secondary latched position.

Additionally, the R4-50 satisfies the safety requirements of the U.S. FMVSS-206 standard for passenger entry doors.

Key Product Features and Benefits

- Hardened steel pawl provides reliable, robust performance
- Double-stage rotary latch operation holds latch firmly secured in secondary latch position
- Standard mounting hole dimensions provide alternative solution as a drop-in replacement for existing competitive latches
- Rugged steel construction and design complies with FMVSS-206 standard (*R4-50*)
- Multiple actuator styles satisfy diverse applications

Available Options

- Left-hand and right-hand latch configurations
- Single-stage or two-stage latch engagement (*R4-20*)
- Threaded and through-hole mounting options (*R4-50*)
- Push-button, T-handle and paddle handle actuator styles

Target Opportunities

- Agricultural Equipment
- Buses and Trucks
- Construction Equipment
- Industrial Equipment
- Off-highway
- Recreational Vehicles

Præstmark A/S Transformervej 21 2730 Herlev

38 88 44 00 salg@praestmark.dk

Hvis du ikke ønsker at modtage flere Nyhedsbreve fra Præstmark A/S, skal denne mail blot returneres.